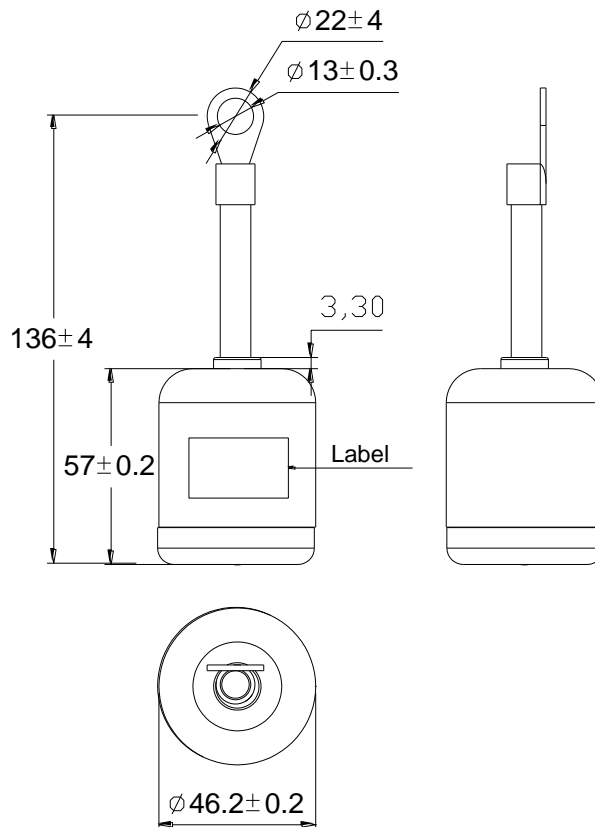




# Thousand Hundred Industrial CO.,LTD.

Customer Part No.	R-1VL 003	Date Of Issue :	01/30/13
T.H. Part No.	<b>HV46-10</b>	T.H. Sample No.	<b>8000A</b>

## Mechanical Dimensions in mm



### LABEL:

**R-1VL** 2KV to 15KV

D2C

### Photo:



### China:

Tel : +86-769-83367090 Fax :+86-769-83367590  
E-mail:dgth@thic.net www.thic.net

### Taiwan:

Tel : +886-3-5994440 Fax:+886-3-5902243  
E-mail : top-th@thic.net www.thic.net



# Thousand Hundred Industrial CO.,LTD.

Customer Part No.	R-1VL 003	Date Of Issue :	01/30/13
T.H. Part No.	<b>HV46-10</b>	T.H. Sample No.	<b>8000A</b>

## Electrical Specifications

LED Flashing Type Isoelectric	
Apply Voltage AC (rms)	2~15KV
Nominal Voltage AC (rms)	10 KV
LED Colour	red
Power Consumption	< 0.01 W
Operating Temperature	-40~70°C

## Mechanical Specifications

CUP	PX9406
Approx. Weight	51g

### China:

Tel : +86-769-83367090 Fax :+86-769-83367590  
E-mail:dgth@thic.net www.thic.net

### Taiwan:

Tel : +886-3-5994440 Fax:+886-3-5902243  
E-mail : top-th@thic.net www.thic.net



# Thousand Hundred Industrial CO.,LTD.

Customer Part No.	R-1VL 003	Date Of Issue :	01/30/13
T.H. Part No.	<b>HV46-10</b>	T.H. Sample No.	<b>8000A</b>

## Electrical Specifications

Technic data(Single power test)					
2KV Flash number	10KV Flash number	15KV Flash number	20KV Flash number	43KV Flash number	Illumination Current 1.2mA/50MM
1 Minute	1 Minute	1 Minute	1 Minute	1 Minute	LUX
≥7	≥66	≥102	≈170	≈340	≥30
typical					
'10	82	128	170	340	

## Test data

150nF R-1VL	No.	2KV	10KV	15KV	20KV	43KV
	Times/1min					
1#		6.0	60.0	91.0	130.0	260
2#		7.0	60.0	90.0	122.0	260
3#		8.5	62.0	93.0	123.0	260
4#		8.0	64.0	94.0	130.0	260
AVE		7.4	61.5	92.0	126.3	



The presence of voltage will cause a cluster of 3 LED 's to flash in sequence ; at a lower voltage range, the flash sequence is slower .

### China:

Tel : +86-769-83367090 Fax :+86-769-83367590  
E-mail:dgth@thic.net www.thic.net

### Taiwan:

Tel : +886-3-5994440 Fax:+886-3-5902243  
E-mail : top-th@thic.net www.thic.net