



Thousand Hundred Industrial CO.,LTD.

Customer Part No.	XXXA/XXXmV	Date Of Issue :	06/18/20
T.H. Part No.	RCFXXX0XXXXX	T.H. Sample No.	RXXXX

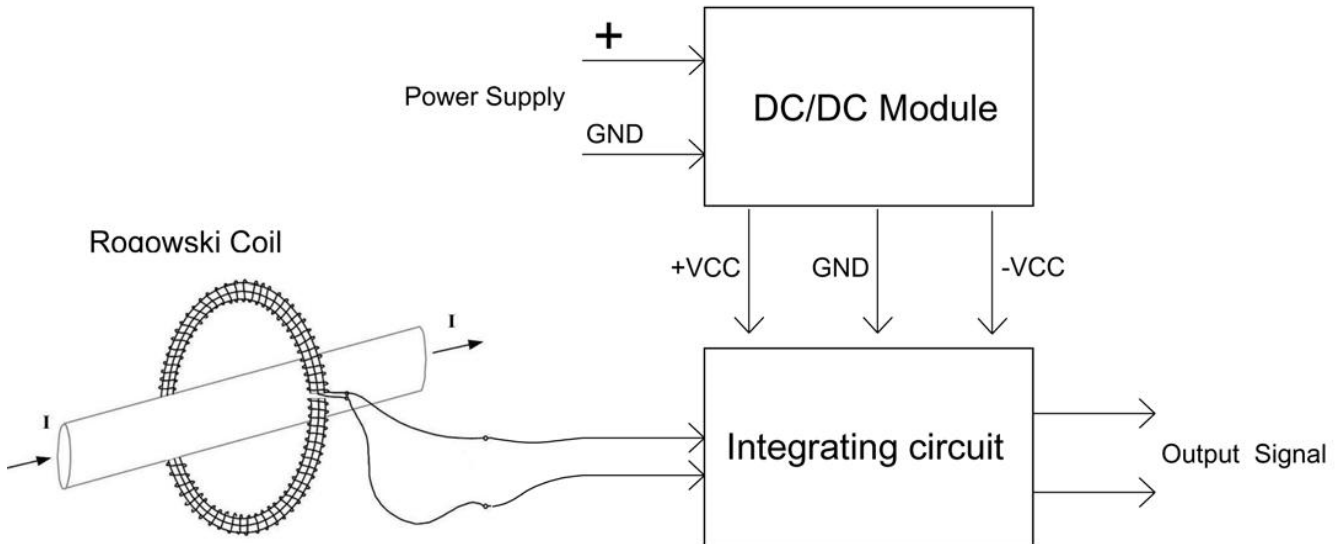
Introduction :

Rogowski coil has the advantages of wide bandwidth, good accuracy (typically 0.5%) and large input current range. The frequency of measuring current can be several Hz up to tens of MHz and mA to KA current measuring range.

The main features include: large easy installation with compact and lightweight coils especially for measuring very large currents, non-intrusive-loading the circuit under testing by only a few pH and no danger from open-circuit secondary.

If the specification below does not meet your requirements, please contact us for customization Rogowski coils.

Schematic Block Diagram :



China:

Tel : +86-769-83367090 Fax :+86-769-83367590
E-mail: dgth@thic.net www.thic.net

Taiwan:

Tel : +886-3-5994440 Fax:+886-3-5902243
E-mail: top-th@thic.net www.thic.net



Thousand Hundred Industrial CO.,LTD.

Customer Part No.	XXXA/XXXmV	Date Of Issue :	06/18/20
T.H. Part No.	RCFXXX0XXXXX	T.H. Sample No.	RXXXX

Performance Characteristics (@ $f_p=50\text{Hz}$, $T_A=25^\circ\text{C}$, unless otherwise noted) :

Part Name:	RCFXXX0070XX	RCFXXX0125XX	RCFXXX0175XX	RCFXXX0300XX
Current Range:	50A...500A,1000A,...10KA.etc			
Output AC Voltage:	22.5mV @ $I_p=1000\text{A}$ 50Hz (27mV @ $I_p=1000\text{A}$ 60Hz)			
Output Sensitivity:	0.0225mV/A AC			
Frequency:	10Hz~20KHz			
Accuracy:	<0.5% typical at 10% to 120% of rated current (most accurate position, 25°C)			
Linearity Err.:	$\pm 0.2\%$ @10% to 100% of Rated Current			
Phase Shift:	< 1° at 50/60Hz (typical < 0.5°)			
Influence of External Field:	$\pm 2\%$ Max.			
Output Sensitivity Tolerance:	$\pm 5\%$ Max.(Uncalibrated)			
Output Sensitivity Tolerance:	$\pm 0.5\%$ of reading at 25°C (Calibrated)			
Conductor Position Sensitivity:	$\pm 2\%$ Max.			
Coil Circumference(mm):	265	425	590	960
Cross-section Φ :	7mm			
Output Cable:	2000 $\pm 50\text{mm}$ AWM 1007 22AWG x 2C (Orange)			
Operating Temperature:	-25~+85°C			
Storage Temperature:	-25~+85°C			
Insulation Category (Flexible Probe):	3000V 1 Minutes			
Safety:	1000V CATIII, 600V CATIV			

Note1: Please pull on the coil less than 2.5kgs to prevent any damage to the flexible probe.

Note2: Conductor Position Err. @ with cable > 15mm between the clip with mechanism.

Note3: The current waveform being measured is Sine Wave.

Note4: Use in the condition of under 80% RH of humidity, no condensation.

China: Tel : +86-769-83367090 Fax :+86-769-83367590 E-mail: dgth@thic.net www.thic.net	Taiwan: Tel : +886-3-5994440 Fax:+886-3-5902243 E-mail: top-th@thic.net www.thic.net
---	---

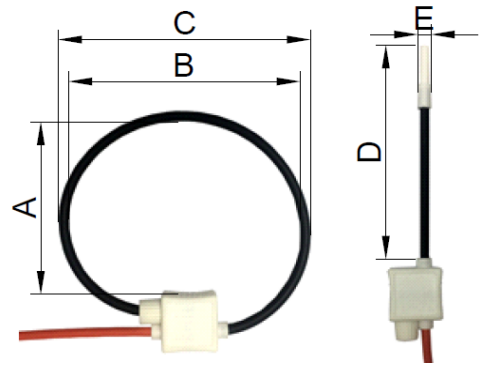
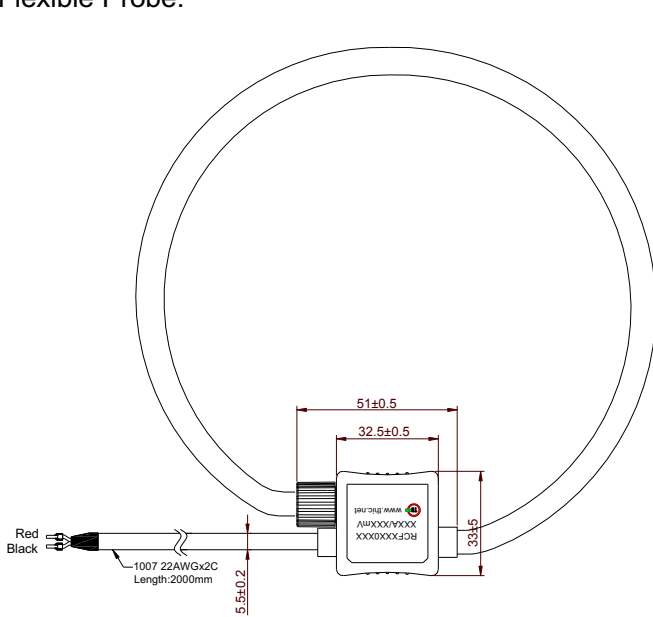


Thousand Hundred Industrial CO.,LTD.

Customer Part No.	XXXA/XXXmV	Date Of Issue :	06/18/20
T.H. Part No.	RCFXXX0XXXXX	T.H. Sample No.	RXXXX

Mechanical Dimensions (Unit : mm) :

Flexible Probe:



Part Name	A	B	C	D	E
RCFXXX0070XX	70	89	103	265	8.5
RCFXXX0125XX	125	141	155	425	8.5
RCFXXX0175XX	175	191	205	590	8.5
RCFXXX0300XX	300	316	330	960	8.5

Marking:



China:

Tel : +86-769-83367090 Fax :+86-769-83367590
E-mail: dgth@thic.net www.thic.net

Taiwan:

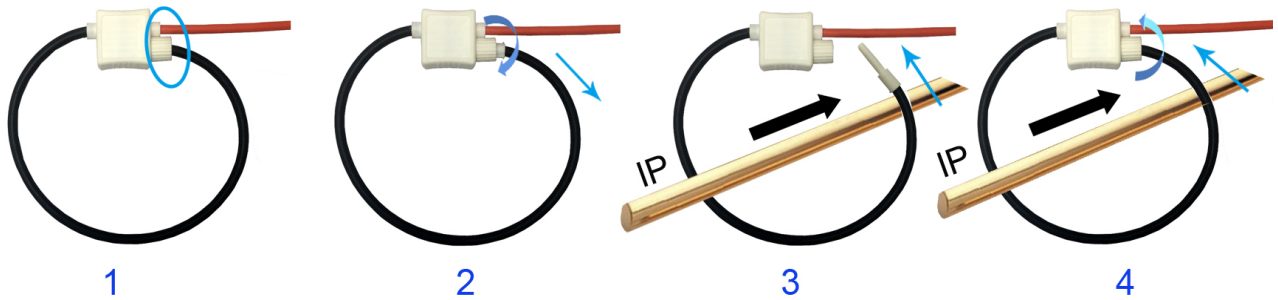
Tel : +886-3-5994440 Fax:+886-3-5902243
E-mail: top-th@thic.net www.thic.net



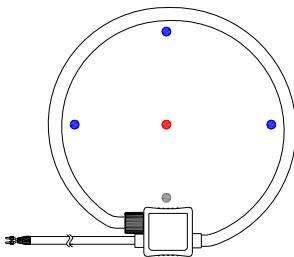
Thousand Hundred Industrial CO.,LTD.

Customer Part No.	XXXA/XXXmV	Date Of Issue :	06/18/20
T.H. Part No.	RCFXXX0XXXXX	T.H. Sample No.	RXXXX

Using Instructions :

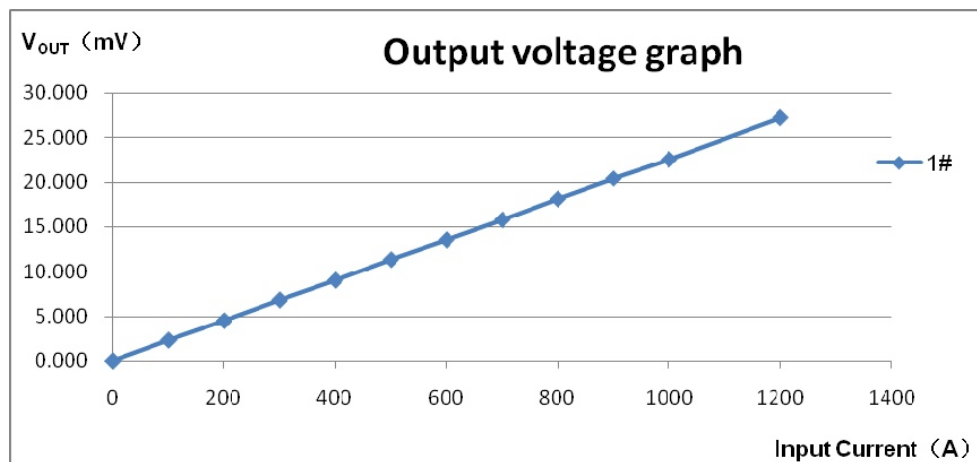


Conductor Position :



Part Name	RCFXXX0XXXXX
Conductor Position	Typical Err.
● Adjacent to the inside coil edge	< 1%
● Adjacent to the clip together mechanism	< 2%
● Central in the coil loop	< 0.2%

Output voltage graph :



China:

Tel : +86-769-83367090 Fax :+86-769-83367590
E-mail: dgth@thic.net www.thic.net

Taiwan:

Tel : +886-3-5994440 Fax:+886-3-5902243
E-mail: top-th@thic.net www.thic.net