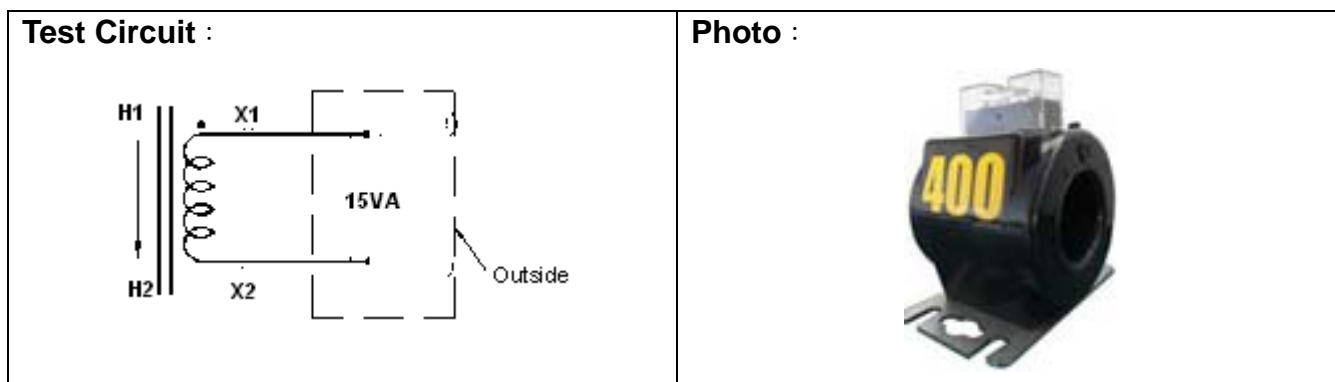
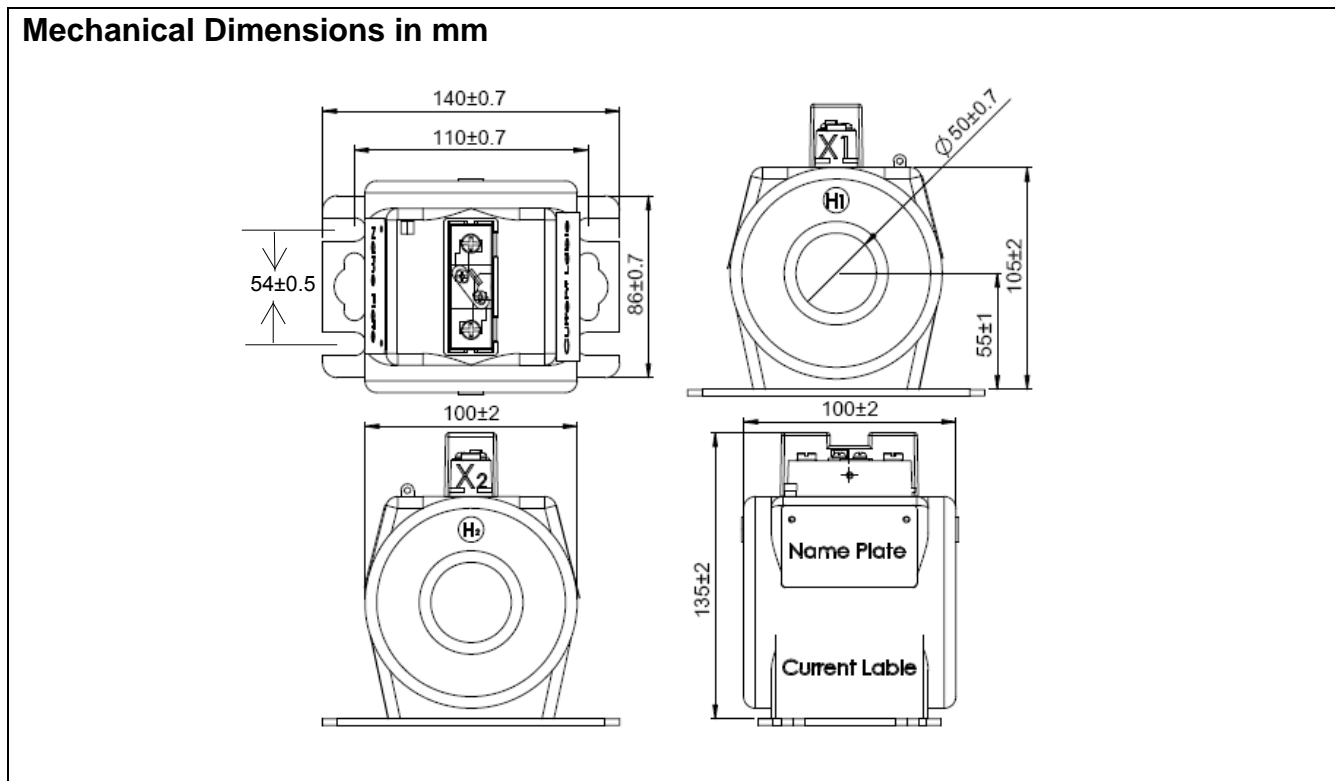




Thousand Hundred Industrial CO.,LTD.

Description	Low Voltage Current Transformer (400A/5A)	Drawn Date	02/02/2012
T.H. Part No.	CT3620400T	T.H. Sample No.	9001



China : Tel : +86-769-83367090 Fax : +86-769-83367590 E-mail : dgth@thic.net www.thic.net	Taiwan : Tel : +886-3-5994440 Fax : +886-3-5902243 E-mail : top-th@thic.net www.thic.net
--	---



Thousand Hundred Industrial CO.,LTD.

Description	Low Voltage Current Transformer (400A/5A)	Drawn Date	02/02/2012
T.H. Part No.	CT3620400T	T.H. Sample No.	9001

Electrical Specifications :

Rated Primary Current(Amp.) 50/60Hz	400A
Max. Current (continuous) at 30°C ambient temperature	600A
Turns ratio	Np:Ns=1:80
Current Ratio	400A/5A
Accuracy @ 15VA 0.8PF	0.3S
Linearity @ $Z_L \leq 0.6\Omega$ 0.8PF	0.3%
Phase error at rated current range	$\leq 15.6'$
Operating Temperature Range	-40~55°C
Storage Temperature Range	-45~85°C
Dielectric Withstanding Voltage(Hi-pot)	4000V/1mA/1min
Insulation Resistance	DC500V/100M Ω min

Mechanical Specifications :

Window diameter	50mm
Main insulation	Molded in thermoplastic rubber
Compression type secondary terminal	For #14~#8.5 wire
Cover	Clear plastic
Approx Weight	2.45kgs

China : Tel : +86-769-83367090 Fax : +86-769-83367590 E-mail : dgth@thic.net www.thic.net	Taiwan : Tel : +886-3-5994440 Fax : +886-3-5902243 E-mail : top-th@thic.net www.thic.net
--	---



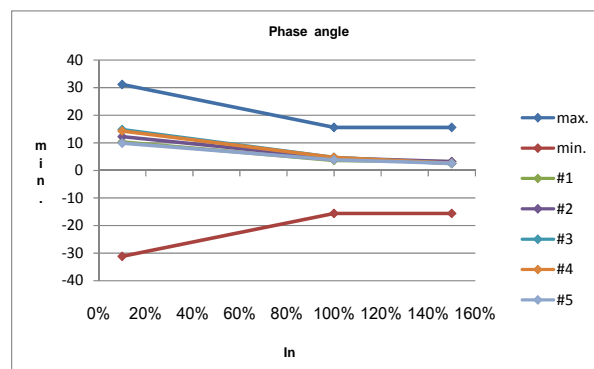
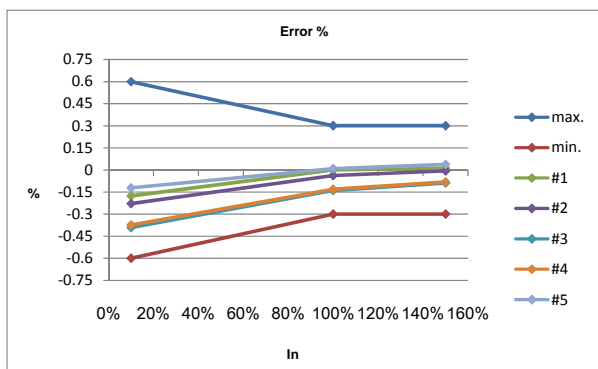
Thousand Hundred Industrial CO.,LTD.

Description	Low Voltage Current Transformer (400A/5A)	Drawn Date	02/02/2012
T.H. Part No.	CT3620400T	T.H. Sample No.	9001

Measured Result :

Sample No.		10% In		100% In		150% In	
		ϵ %	$\bar{\delta}$ min	ϵ %	$\bar{\delta}$ min	ϵ %	$\bar{\delta}$ min
Spec	max.	+0.6	+31.2	+0.3	+15.6	+0.3	+15.6
	min.	-0.6	-31.2	-0.3	-15.6	-0.3	-15.6
#1		-0.177	10.3	0	3.62	0.011	3.20
#2		-0.228	12.2	-0.038	4.48	-0.007	3.14
#3		-0.392	14.8	-0.139	4.68	-0.088	2.46
#4		-0.374	14.3	-0.131	4.71	-0.082	2.55
#5		-0.122	9.87	0.009	3.84	0.037	2.55
\bar{X}		-0.2586	12.294	-0.0598	4.266	-0.0258	2.78
Max.		-0.122	14.8	0.009	4.71	0.037	3.20
Min.		-0.392	9.87	-0.139	3.62	-0.088	2.46

Accuracy curve :



China :

Tel : +86-769-83367090 Fax : +86-769-83367590
E-mail : dgth@thic.net www.thic.net

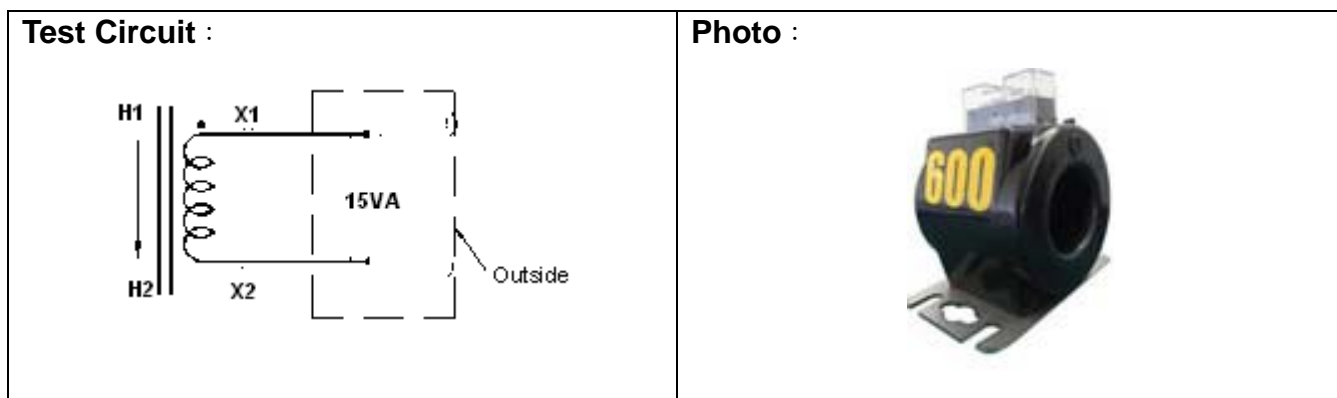
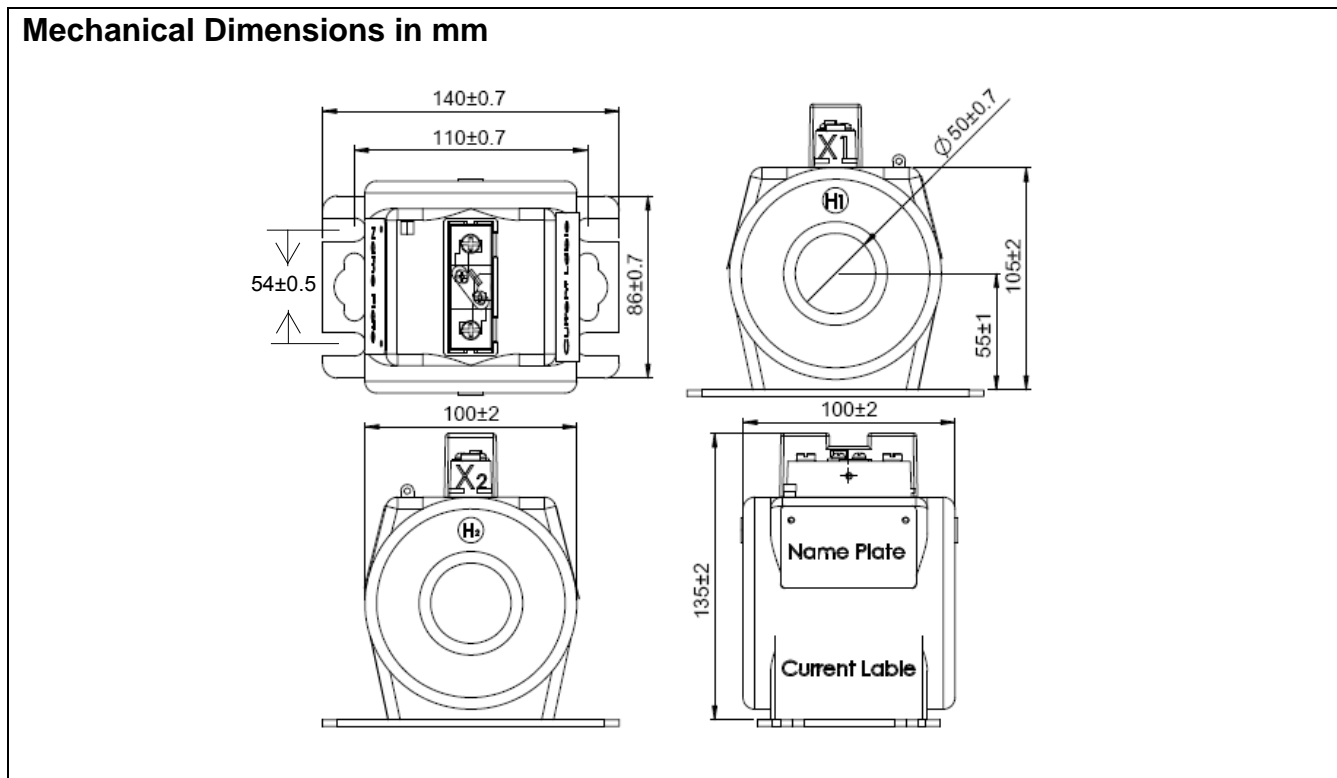
Taiwan :

Tel : +886-3-5994440 Fax : +886-3-5902243
E-mail : top-th@thic.net www.thic.net



Thousand Hundred Industrial CO.,LTD.

Description	Low Voltage Current Transformer (600A/5A)	Drawn Date	02/02/2012
T.H. Part No.	CT3620600T	T.H. Sample No.	9002



China : Tel : +86-769-83367090 Fax : +86-769-83367590 E-mail : dgth@thic.net www.thic.net	Taiwan : Tel : +886-3-5994440 Fax : +886-3-5902243 E-mail : top-th@thic.net www.thic.net
--	---



Thousand Hundred Industrial CO.,LTD.

Description	Low Voltage Current Transformer (600A/5A)	Drawn Date	02/02/2012
T.H. Part No.	CT3620600T	T.H. Sample No.	9002

Electrical Specifications :

Rated Primary Current(Amp.) 50/60Hz	600A
Max. Current (continuous) at 30°C ambient temperature	900A
Turns ratio	Np:Ns=1:120
Current Ratio	600A/5A
Accuracy @ 15VA 0.8PF	0.3S
Linearity @ $Z_L \leq 0.6\Omega$ 0.8PF	0.3%
Phase error at rated current range	$\leq 15.6'$
Operating Temperature Range	-40~55°C
Storage Temperature Range	-45~85°C
Dielectric Withstanding Voltage(Hi-pot)	4000V/1mA/1min
Insulation Resistance	DC500V/100M Ω min

Mechanical Specifications :

Window diameter	50mm
Main insulation	Molded in thermoplastic rubber
Compression type secondary terminal	For #14~ #8.5 WIRE
Cover	Clear plastic
Approx Weight	2.58kgs

China :

Tel : +86-769-83367090 Fax : +86-769-83367590
E-mail : dgth@thic.net www.thic.net

Taiwan :

Tel : +886-3-5994440 Fax : +886-3-5902243
E-mail : top-th@thic.net www.thic.net



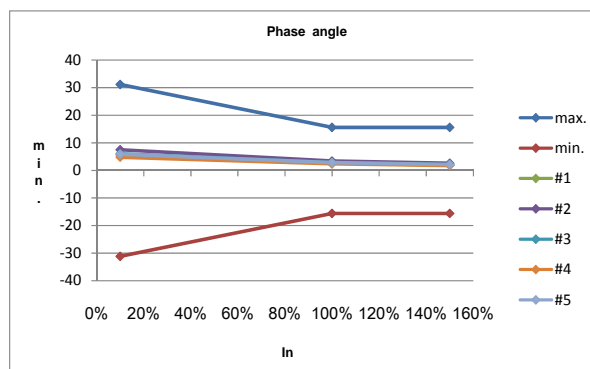
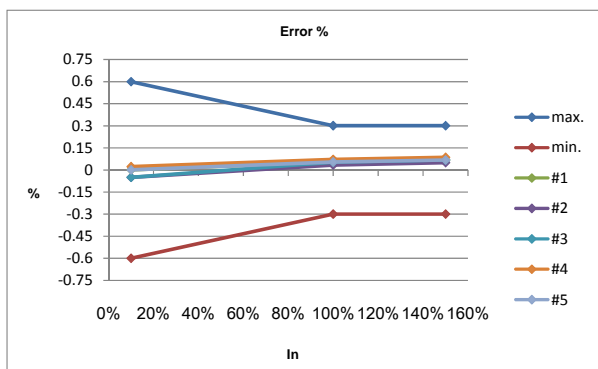
Thousand Hundred Industrial CO.,LTD.

Description	Low Voltage Current Transformer (600A/5A)	Drawn Date	02/02/2012
T.H. Part No.	CT3620600T	T.H. Sample No.	9002

Measured Result :

Sample No.		10% In		100% In		150% In	
		ϵ %	$\bar{\delta}$ min	ϵ %	$\bar{\delta}$ min	ϵ %	$\bar{\delta}$ min
Spec	max.	+0.6	+31.2	+0.3	+15.6	+0.3	+15.6
	min.	-0.6	-31.2	-0.3	-15.6	-0.3	-15.6
#1		0	5.57	0.055	2.66	0.067	2.00
#2		-0.050	7.49	0.034	3.40	0.050	2.58
#3		-0.050	6.02	0.053	2.81	0.067	2.07
#4		0.022	4.81	0.072	2.35	0.085	1.75
#5		0	5.89	0.054	2.83	0.067	2.12
\bar{X}		-0.0156	5.956	0.0536	2.81	0.0672	2.104
Max.		0.022	7.49	0.072	3.40	0.085	2.58
Min.		-0.050	4.81	0.034	2.35	0.050	1.75

Accuracy curve :



China :

Tel : +86-769-83367090 Fax : +86-769-83367590
E-mail : dgth@thic.net www.thic.net

Taiwan :

Tel : +886-3-5994440 Fax : +886-3-5902243
E-mail : top-th@thic.net www.thic.net